



## INSTALLATION INSTRUCTIONS



### GENERAL INFORMATION

#### **Storage & Handling**

- Do not dump while unloading.
- Store Ameradeck on flat surface, supporting product every 24 inches. Do not stack Ameradeck planks more than 4 skids high.
- When working with Ameradeck, appropriate clothing & safety equipment should be used & worn as with any wood product.

#### **Structural Considerations**

- Ameradeck is not to be used as joists, beams, structural spanning or primary load bearing members.
- Boards should not hang over rim joist.
- For optimum water drainage and ventilation, gap 1/8" between boards.
- Boards should span at least 3 joists.

#### **Weathering**

- Ameradeck is a virtually maintenance free product being impervious to inclement weather, saltwater or insects.

#### **Tools**

- Standard woodworking tools may be used
- Carbide tipped blades and bits are recommended.
- Hand nailing is not recommended.

#### **Fasteners**

- Ameradeck can be assembled with most outdoor fastening methods.
- High quality stainless steel fasteners are strongly recommended as their added strength reduces twist offs, bending and breaking. They also are rust resistant. Pneumatic nailing or composite deck screws are recommended. Pre-drill if not using composite deck screws. Composite rails require screws.

#### **Finish Edges**

- The edges of the deck may be rasped or routed.

# INSTALLATION INSTRUCTIONS

## Painting and Staining

- AmeraDeck may be painted or stained with most of the off-the-shelf products.

## Stain Removal

- Power washing is acceptable as well as degreasers and other cleaning agents. Old English products are recommended for masking scratches.

## Joist Spanning

Angled decking

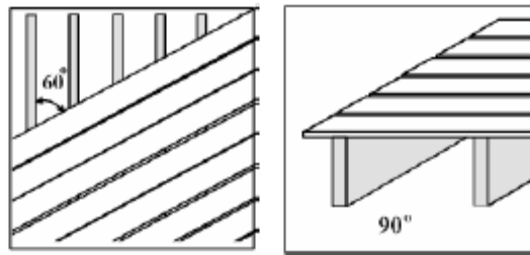


Chart 1

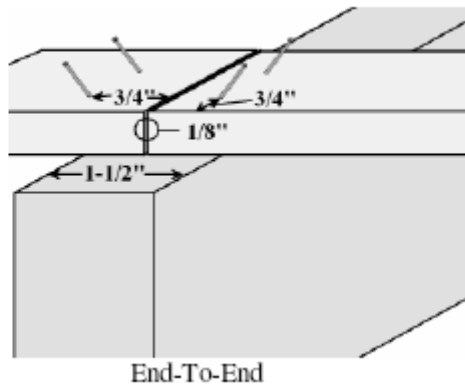
|                                    |       | Maximum Uniform Live Load<br>(pounds per square foot) |     |     |
|------------------------------------|-------|---|-----|-----|
|                                    |       | 100   | 125 | 200 |
| Plank Size                         |       | Maximum Span Between Joists                           |     |     |
| 60°-90°<br>Angle                   | 2x4   | 24"   | 24" | 24" |
|                                    | 2x6   |   |     |     |
| 60°+<br>Angle                      | 5/4x6 | 16"   | 16" | 16" |
| 90°<br>Angle<br>Above<br>120F-125F | 5/4x6 | 16"   | 16" | 16" |
| 90°<br>Angle<br>120F and<br>lower  | 5/4x6 | 24"   | 22" | 19" |

# INSTALLATION INSTRUCTIONS

## ASSEMBLY AND INSTALLATION

### Fastening Tips

- Fasteners should be no closer than  $\frac{3}{4}$ " from the end and side cuts.



### Framing Requirements

- Span – Install AmeraDeck 16" on center or 12" on center if running diagonally across framing.
- Gap planks  $\frac{1}{8}$ " no matter what time of year to allow for expansion and contraction.
- Secure with composite deck screws or hidden fastener system like Tiger Claw.

- Note: Run screws through the holes in the board and set the depth of screw head flush to the surface of the material.



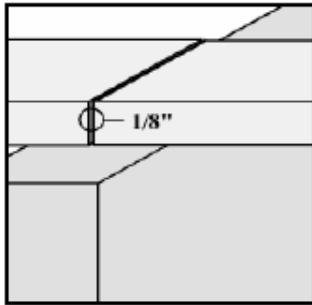
- AmeraDeck recommends using a screw depth setter to ensure the correct depth is secured.
- Install screws 1" from the side of the deck plank and  $\frac{3}{4}$ " from the butt end of the plank.

### Precautions

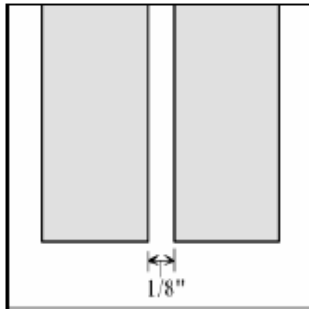
- Verify joists are level and spaced according to spanning charts shown.
- If deck is to be installed at an angle, you must adjust the joist spacing for proper support and fastening as indicated in chart 1.
- If the decking is to be installed at temperatures below freezing, make the spacing between butt joints  $\frac{1}{8}$ " minimum to allow for thermal expansion under warmer temperatures.
- Make sure planks are flat on the joist.
- Do not attach AmeraDeck decking to any solid surface or watertight system.
- Deck should span 3 joists at a minimum.

# INSTALLATION INSTRUCTIONS

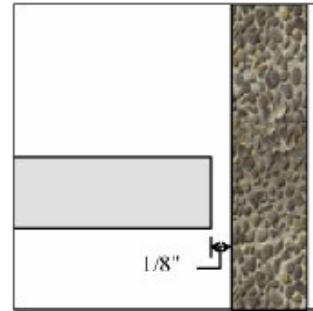
## Gapping



End-to-End on Joist



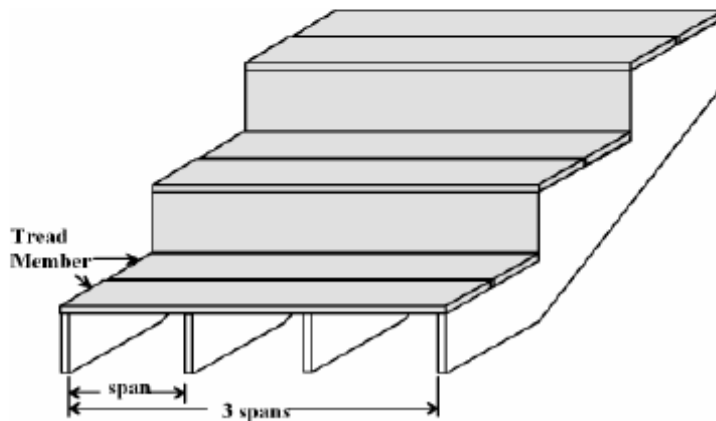
Width-to-Width



Abutting Solid Object

## Stairway

| Stair Tread Span Chart    |                           |                           |
|---------------------------|---------------------------|---------------------------|
| 300 lb. Concentrated Load | Single Member<br>3 span   | Multiple Member<br>3 span |
| Tread Member              | Max Span Between Supports |                           |
| 2x4                       | 10"                       | 16"                       |
| 2x6                       | 12"                       | 16"                       |
| 5/4x6                     | 9-1/2"                    | 12"                       |



Visit [www.ameradeck.com](http://www.ameradeck.com) for latest installation instructions.

Ameradeck • P.O. Box 13554 • Chandler, AZ 85248 • 877.788.1887